

Pull-Out Table with Folding Leg – Mounting Instructions

sh 01/24

HÄFELE



General:

- A pull-out table system that can be installed in the space of a drawer.
- With a fold-down support leg
- For kitchen and living room furniture
- Seats up to 5 people
- Minimum Installation Depth: 562mm (22 1/8")
- Internal Installation Height: 83mm (3 1/4") + 3 x tabletop thicknesses.
- Weight Capacity: 60 kg (132lbs)

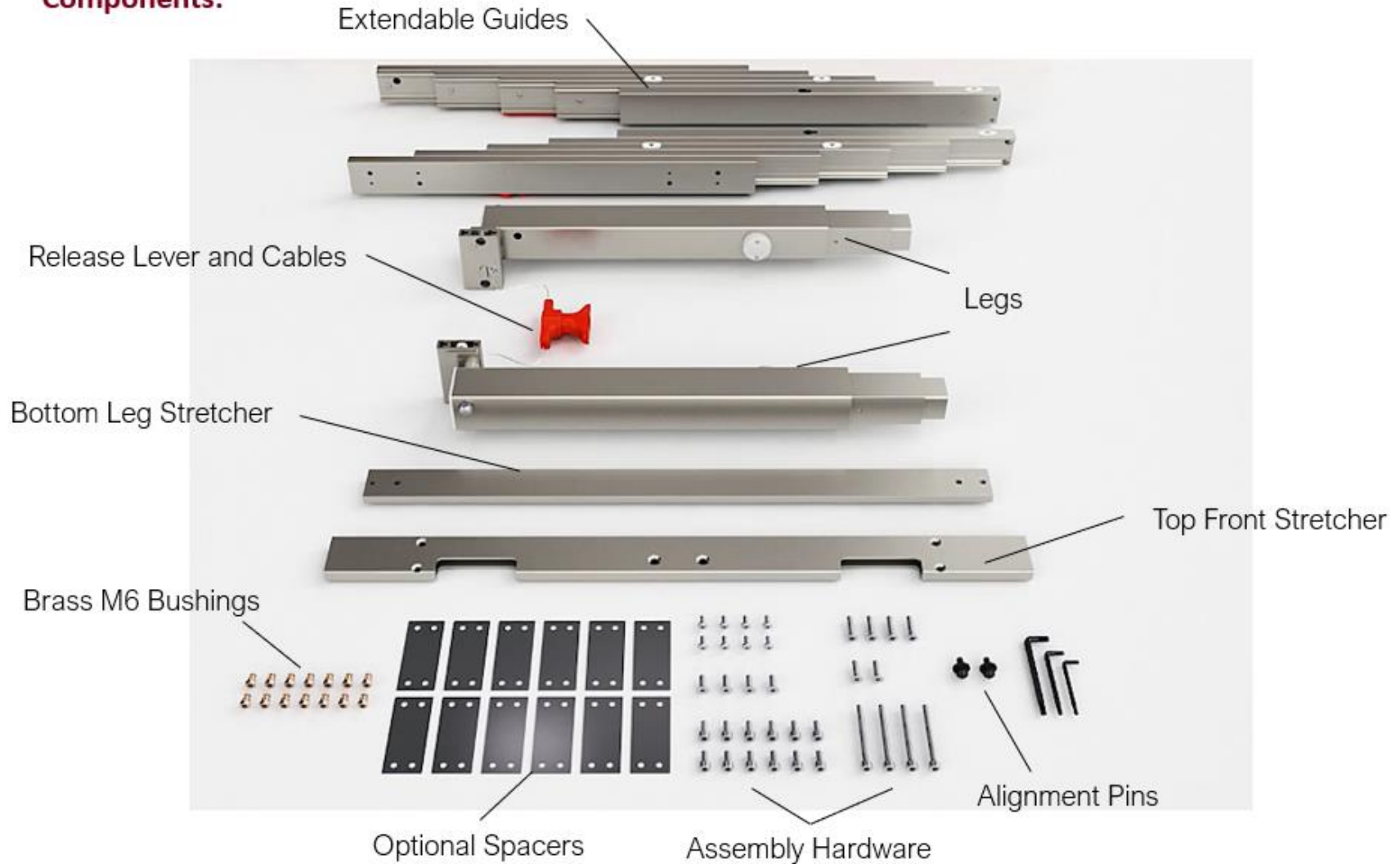
Notes:

- Successful installation of this fitting requires a high degree of skill.
- Precise location of mounting holes and milling the hinges for folding tops is critical, CNC equipment is recommended.
- Tabletops not supplied - high quality material should be used for folding tops to insure they can withstand the folding procedure.
- Tabletop leaf's dimensions of; 529mm, 445mm, 445mm **cannot be changed.**
- Folding tops leaf hinges are not supplied, 6 are required.
- Hinges for fold down drawer front not supplied.

Pull-Out Table with Folding Leg – Mounting Instructions



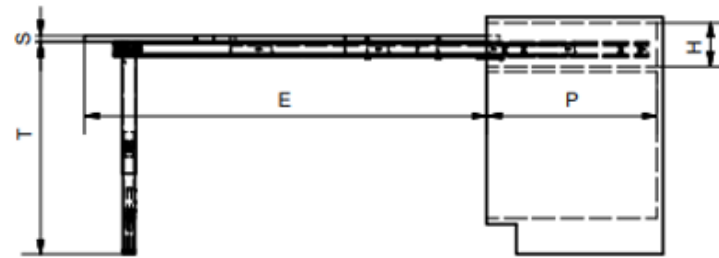
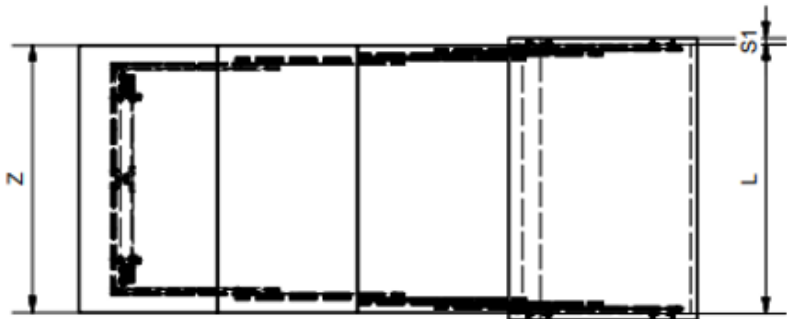
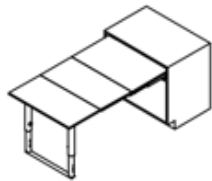
Components:



Pull-Out Table with Folding Leg – Mounting Instructions



Dimensions:



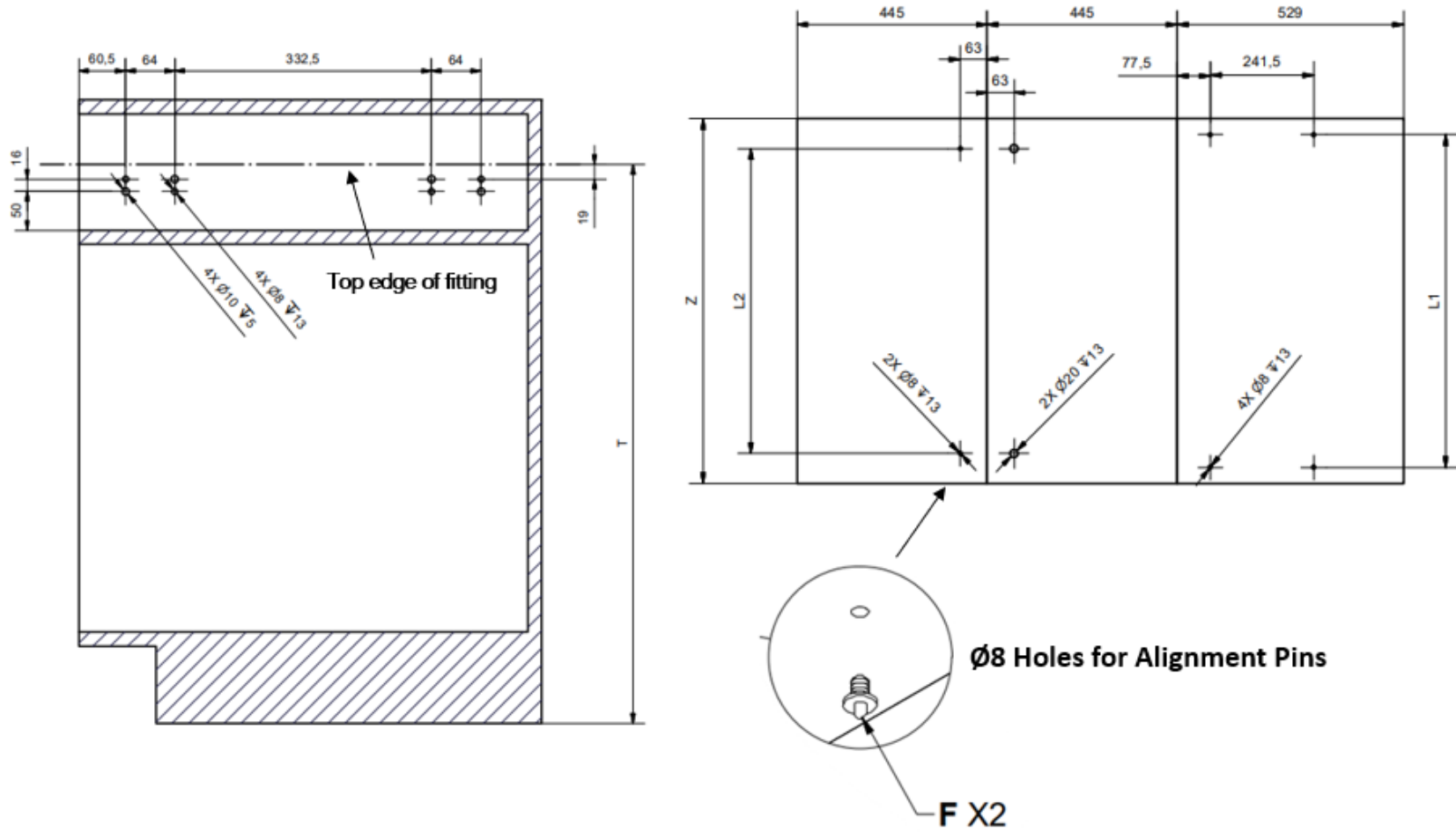
| | Dim | Item No. | mm | inch |
|----------------|-----|------------|------------|---------|
| Inside Width | L | 642.19.927 | 562 | 22 1/8" |
| | | 642.19.928 | 862 | 34" |
| | | 642.19.929 | 1162 | 45 3/4" |
| | Dim | mm | inch | |
| Top Width | Z | L-5mm | L- 1/4" | |
| | Dim | mm | inch | |
| Side Thickness | S1 | 16, 19mm | 5/8", 3/4" | |

| | Dim | mm | inch |
|---------------|-----|--|------|
| Inside Height | H | 83mm (3 1/4") + 3 x tabletop thickness | |
| | | mm | inch |
| Depth | P | Min: 560mm | |
| | | mm | inch |
| Extension | E | 1380 | |
| | | mm | inch |
| Top Thickness | S | Min: 16 | |
| | | mm | inch |
| Height | T | 725 - 820 | |
| | | mm | inch |

Pull-Out Table with Folding Leg – Mounting Instructions



Panel Processing:



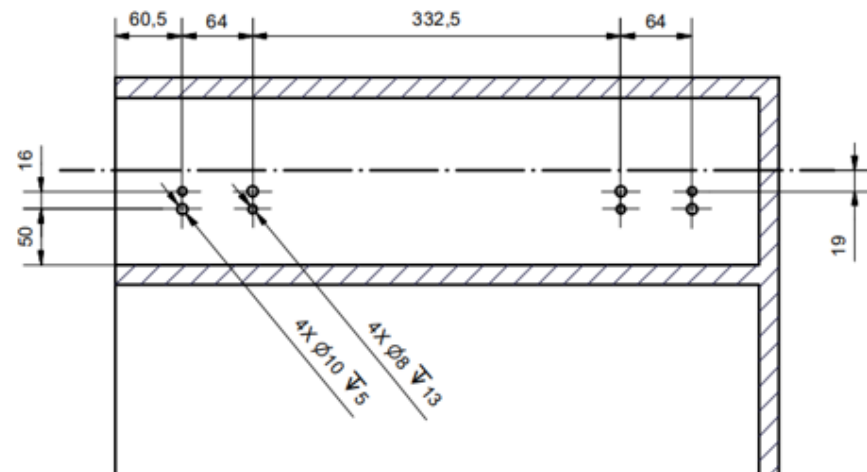
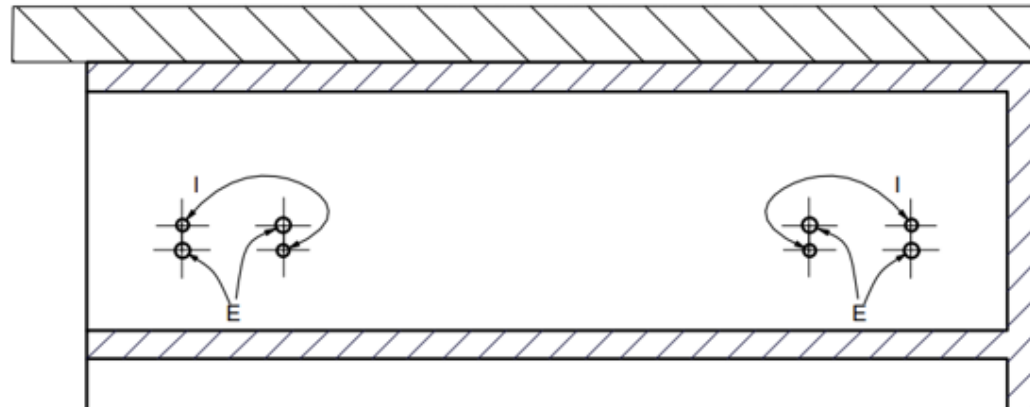
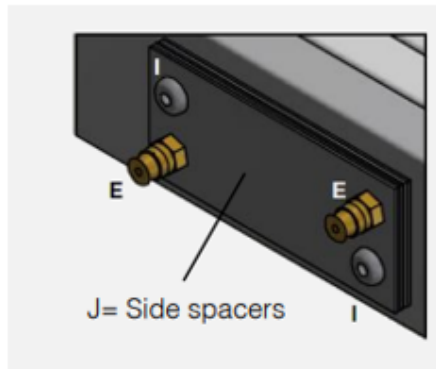
Pull-Out Table with Folding Leg – Mounting Instructions



Mounting Holes Orientation:

E = Ø8mm hole for Bushings

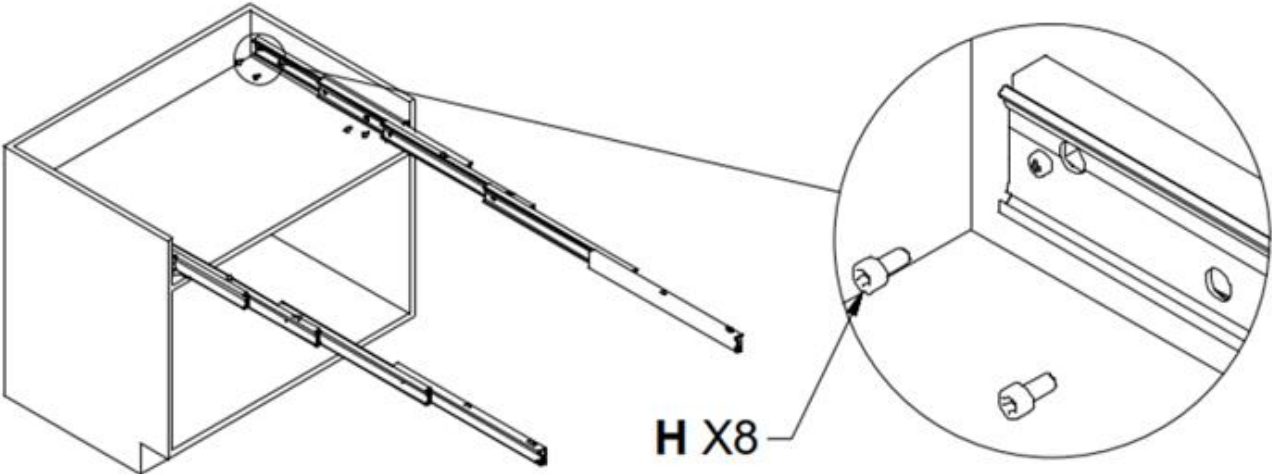
I = Ø10mm hole only required if using the spacers, M5 x 10 screws to affix the spacers.



Pull-Out Table with Folding Leg – Mounting Instructions



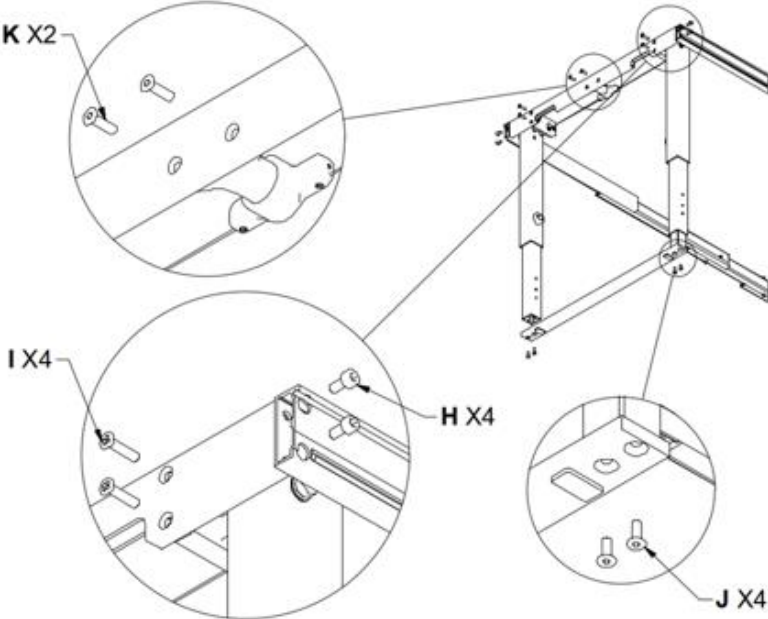
Mount the Guides to the side panels



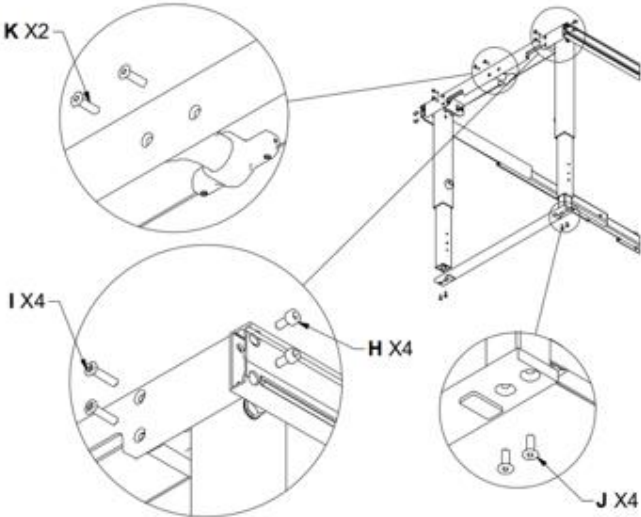
Pull-Out Table with Folding Leg – Mounting Instructions



Mount the Front Stretcher



Pull-Out Table with Folding Leg – Mounting Instructions



Mount Bottom Rail to Legs

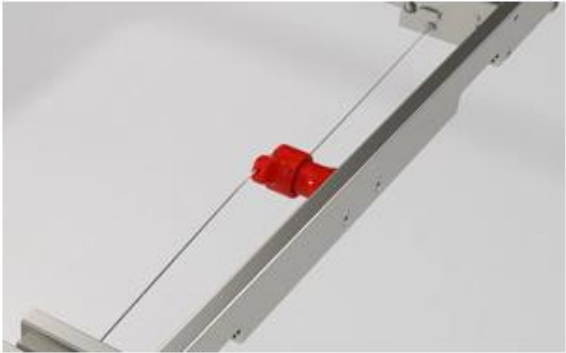


Mount Leg Assembly to Front Rail



Mount Release Lever to Front Rail

Pull-Out Table with Folding Leg – Mounting Instructions



Rotate Handle and fold down the legs



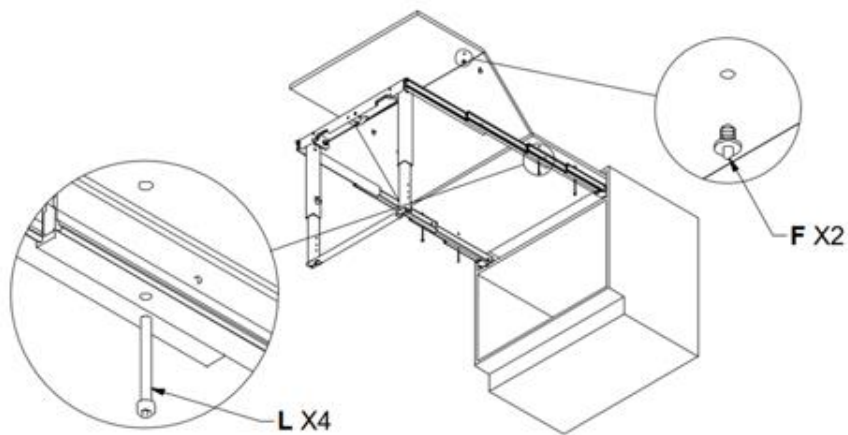
Adjust Legs to appropriate position

Final adjustment +/- 25mm

Pull-Out Table with Folding Leg – Mounting Instructions



Mount the Folding Tops



Pull-Out Table with Folding Leg – Mounting Instructions

HÄFELE

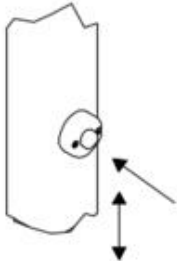
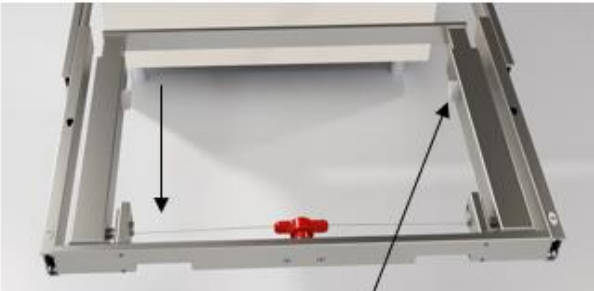


Support the Tops while folding into place

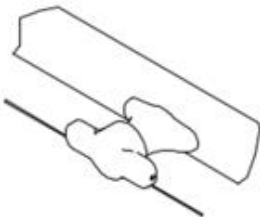


**Lock the top into place by pulling slightly forward so the pin engages the keyhole slot
Conversely, push the top back to unlock before folding the tops**

Pull-Out Table with Folding Leg – Mounting Instructions



To retract the legs, engage this button both sides



To fold the legs, twist this lever



Remember, before folding the tops, push top back slightly to unlock, see previous page

To close, engage this red lever on both sides

