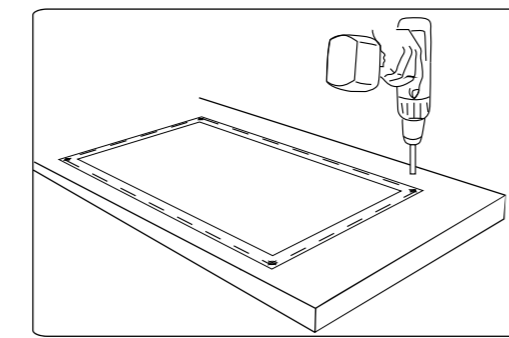


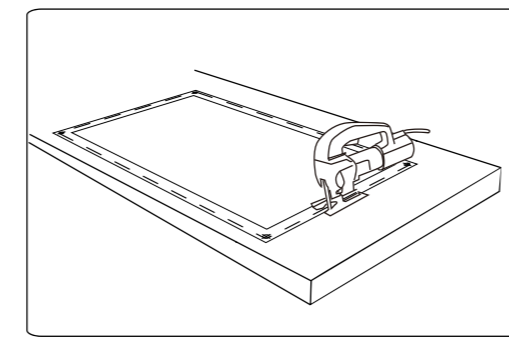
产品型号: 606045

Drill four corner holes - 1/2" Diameter

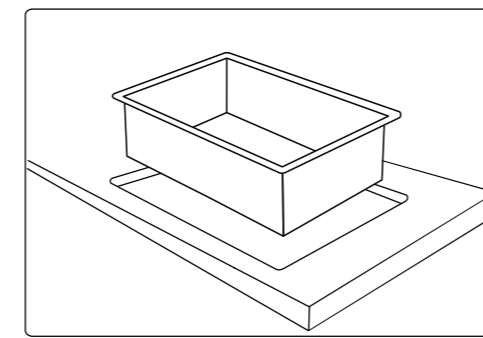
FOR TOP MOUNT INSTALLATION



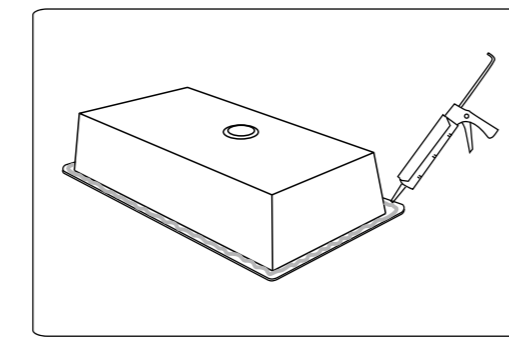
Drill four corner holes - 1/2" Diameter



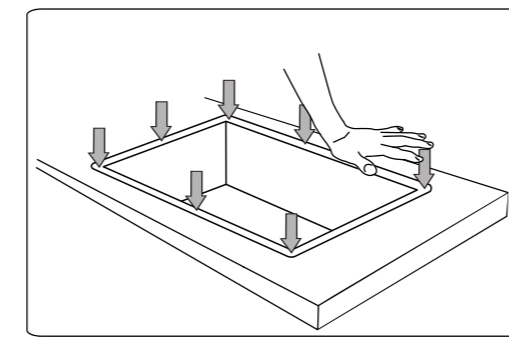
Cut along this dotted line to connect holes



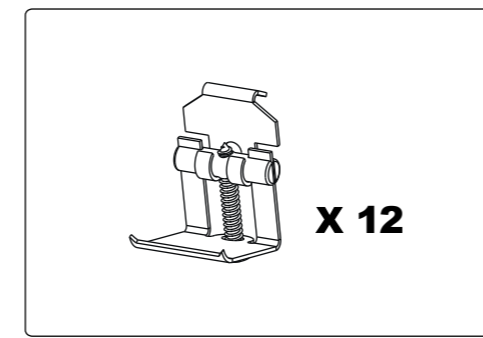
Check hole size



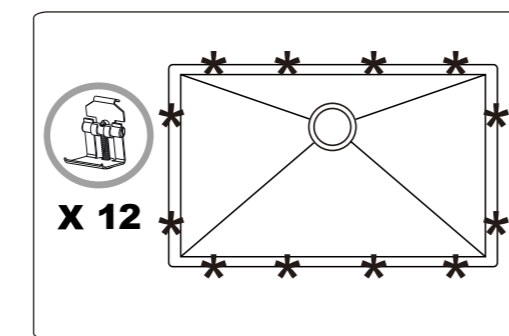
Silicone Sealant



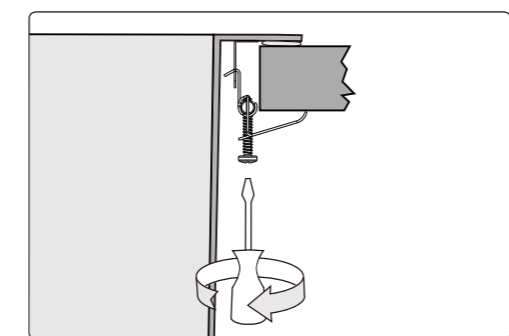
Press



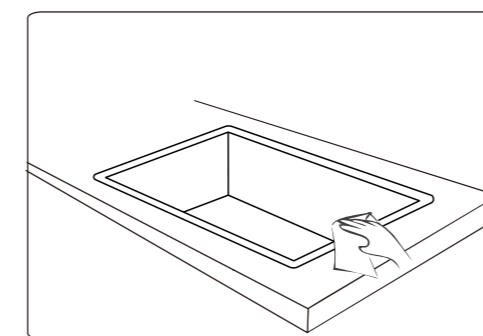
Thread X 12



Locate X 12

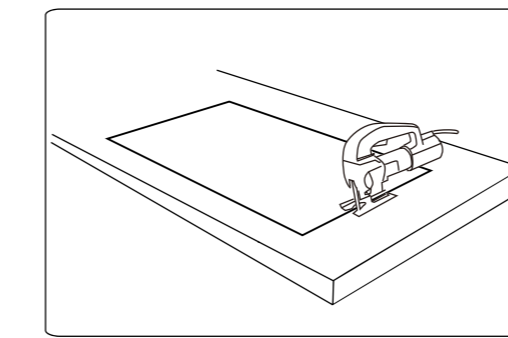


Tighten All

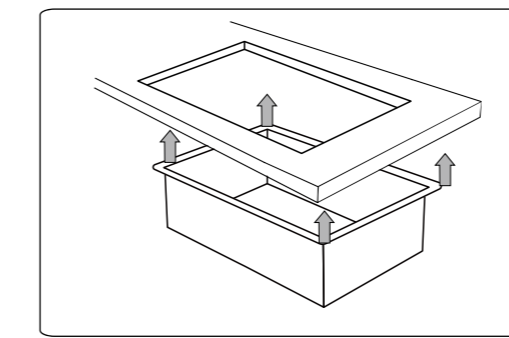


Clean

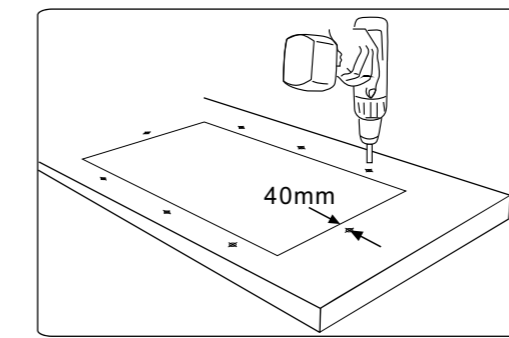
FOR UNDER-MOUNT INSTALLATION



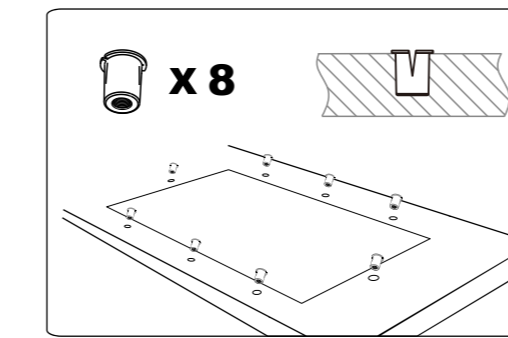
Cut along this line to connect holes



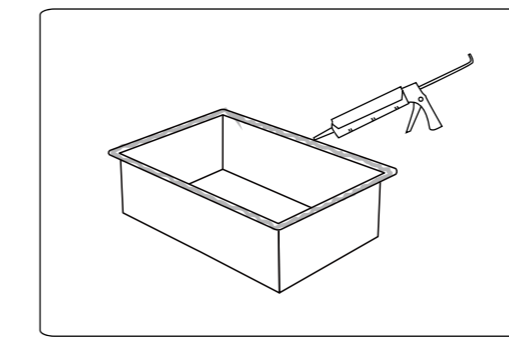
Check hole size



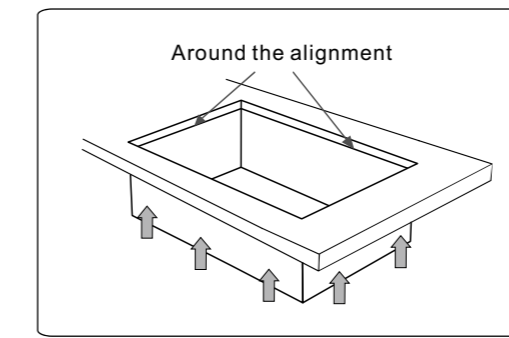
Drill eight holes on the back
φ 10 with depth 15mm on the back



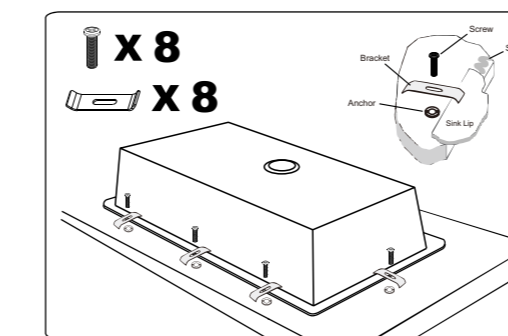
Anchor X 8



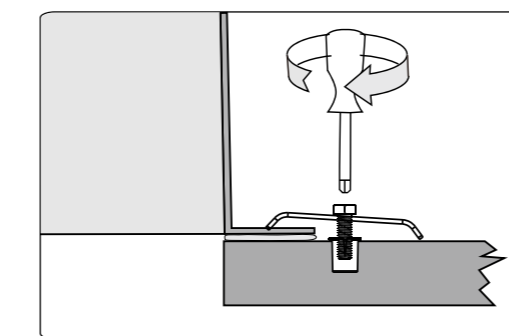
Silicone Sealant



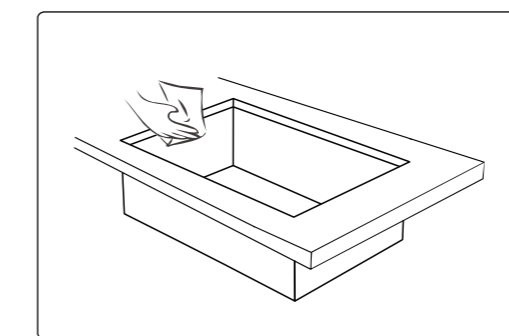
Around the alignment



Locate X 8 X 8



Tighten All



Clean

FOR TOP MOUNT INSTALLATION (1134x424mm)

FOR UNDER-MOUNT INSTALLATION (1110x400mm)