

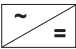


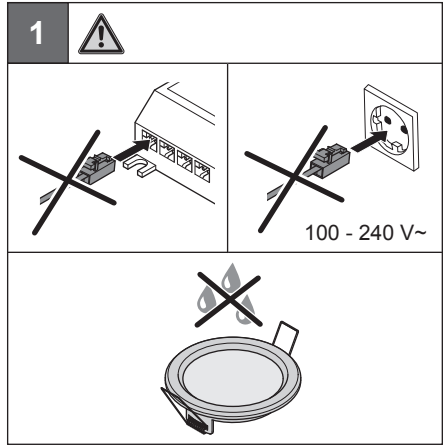
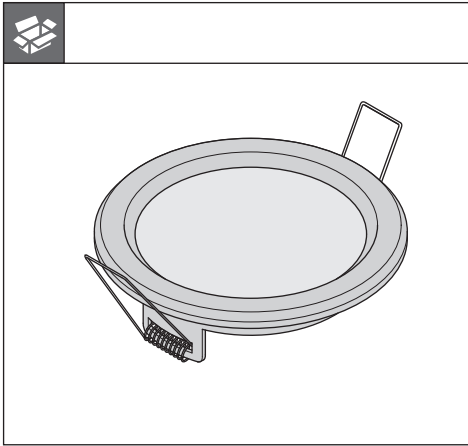


LED 3002

833.75.020  
833.75.030

24 V System	K	W	T <sub>A</sub>	 mm	 mm	
833.75.020	5000 K	4.4 W	-20 °C – +35 °C	Ø 127 x 18	≥ Ø 137 x 28	833.77.900
833.75.030	3200 K		-4 °F – +95 °F			833.77.901

Maße in mm – Dimensions in mm – Medidas en mm



HDE 14/12/2010

732.28.232

