

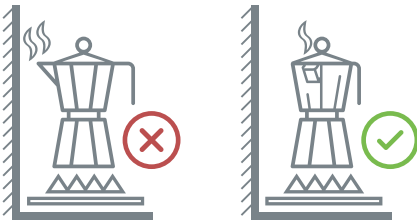


Care, maintenance  
and installation guide

## Care & Maintenance

AluSplash panels are vigorously tested for various aspects of functionality and durability. However like most wall surfaces it is vital that the panel be cared for and maintained correctly to ensure that the panel retains its aesthetic look, colour, gloss and surface finish.

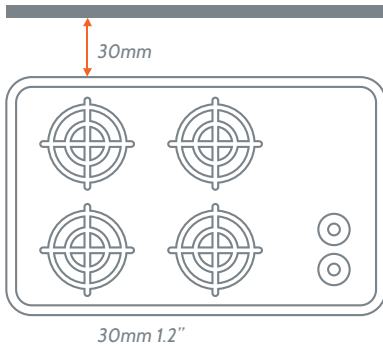
- > **Do not** use acidic, caustic or abrasive cleaning detergents or materials to clean the panel surface.
- > The Panel Surface must be cleaned regularly with the recommended products.
- > Build up of grime, oil, food and beverage splashes on the panel surface should be wiped clean.
- > Use only a soft micro fibre cloth or a non-abrasive cloth to clean the panel surface. We recommend Vuplex.
- > Detergent with bleach or home remedy solutions like baing soda, or other stain removing gels, powders, liquids or materials should not be used on the panel surface.
- > Try not to clean the panel surface if it is hot! Wait for the surface to cool to room temperature before cleaning.



- > Ensure that the spout of a boiling water kettle is not directly facing the panel surface. Hot steam, air and / or boiling water released from the spout can cause surface of the panel to be stained or damaged.
- > Always face the spout of the kettle away from the panel surface, as shown left.

- > Do not allow the flame from the gas hob to spread up the sides of the cooking pot or pan.
- > Always place a lid on a pan when boiling any foods or liquids on the hob nearest to the panel surface.





- > If using behind a cooking hob, ensure a minimum 30 mm distance is maintained between the panel surface and closest edge of the hob. When cooking with open flame hobs do not allow the flame to be in direct contact with the panel surface.
- > Avoid placing metallic or sharp objects like knives and other utensils against the coated surface, as it may cause scratches on the panel's surface.
- > Allow for a 1.5 mm gap on each side of the finished panel and around the worktop to allow for expansion.

**All electrical plumbing works must be performed  
by a licensed and certified electrician**



- > It is recommended that all AluSplash panels should be protected with Vuplex® spray to prevent the panel surface from any scratches or build up of dirt and grime.

## Installation Tips:



1. **ALWAYS remember your 1.5 expansion gap and USE packers.**

Not leaving sufficient expansion could cause the panel to bow, however this does not apply to joins. Once correctly joined this panel becomes one.



2. **ALWAYS measure twice, cut once.**

Double check your measurements! As you're working on the back of the panel it can become confusing.



3. **ALWAYS work on the back of the AluSplash Panel.**

Working on the back of the panel will leave your "good" clean cuts on the face. It will also stop any surface scratches during fitting.



4. **ALWAYS dry fit the panels and check the fit.**

We always encourage "dry fitting" this enables you to clearly check your work before final installation.



5. **ALWAYS use the right kit & ensure you wear the correct PPE.**

Using the correct, sharp tools will ensure you have the very best work! Make sure you use the correct PPE throughout the installation.

# How to Install

## STEP 1 - Preparation



### Tools Required

- Non-Marking Bench/Trestle
- Stanley Knife
- Marker Pen



- > Be careful when lifting the panel, Alusplash is heavy & can bend easily.



- > Open with care & check both sides of the panel for imperfections.



- > Mark FACE & BACK on the panel to avoid making mistakes.

## STEP 2 - Measuring



### Tools Required

|              |              |
|--------------|--------------|
| Level        | Masking Tape |
| Tape Measure | Combination  |
| Marker Pen   | Square       |
| Pencil       | PPE          |



### Ensure you measure ALL areas.

- > Hob width & height
- > Back wall, width & height both sides.
- > Expansion gaps **are not** required where you have a join.



### BACK WALL

- > If you're using trims, before measuring the back panel, measure the corner height & cut the trim to fit.
- > Pre fit the corner trim to ensure accurate measurements for the back panel.



- > Place the splashback behind the hob & mark the wall with a pencil.



- > Take wall measurements – both top & bottom and transfer them to the back of the panel using a straight edge.



Use masking tape to see the measurements

## TOP TIP!

Remember to remove 1.5 mm for expansion  
Expansion gaps are NOT required where you have a join



- > When measuring with trim, remember to add 1.5mm for expansion.



### SOCKETS

- > Take measurements for any sockets.



Remember to remove 1.5 mm from these measurements too



- > Mark measurements on the BACK of the panel.
- > Use a combination square to correctly mark panels.



### SIDE WALL

- > Remember if you are using trims, to put them in place before measuring.



Use double sided tape to hold in place



- > Using a straight edge, mark a line up from the end of the work surface.



- > Measure to the line & mark onto the BACK of the panel.



## STEP 3 - Cutting



### Tools Required

|                |                                 |     |
|----------------|---------------------------------|-----|
| Holesaw Cutter | Glass Sucker                    | PPE |
| Drill          | Aluminium Blade                 |     |
| Packers        | Jigsaw Blade                    |     |
| Jigsaw         | Circular saw with straight-edge |     |



- > When cutting, always cut from the **BACK** of the panel.



- > Use a holesaw to cut a hole through where the socket will sit.



- > Use a jigsaw to cut out the rest of the socket.





### TRIMS

- > Use a chop saw to cut the corner trims.



- > Attach the corner trim.



### DRY FIT

- > Turn the panel over & check the FACE.



- > Attach the glass sucker for ease of handling and dry fit the panel. Remembering to use packers to check the fit.



## TOP TIP!

Using an aluminium blade will ensure  
a precise clean cut

## STEP 4 - Joining



### Tools Required

Joining Strip  
Alcohol Wipe  
PPE



- > Dry fit to check you are happy with the join.



- > If you are using the joining strip, place the panels face down on a flat surface.
- > Peel back the film & push the panels together to form a neat join.



- > Using the cloth provided, wipe down the panel.

### TOP TIP!

Make sure the panel is clean before applying the joining strip



- > Peel off the double-sided tape & carefully apply the joining strip.



- > Turn the panel over & check the join.



- > For the other panel, attach one side of the joining strip to the edge.



- > Slide that panel behind the other on the wall and remove tape to attach.



## STEP 5 - Edging Profile



### Tools Required

Chop Saw

Combination Square

Edging Profile

Pencil

PPE

Alcohol Wipe



- > Remove the protective film from the BACK of the panel.



- > Dry fit the edging profile & mark your mitres. Use a combination square to mark a cut line.



- > Cut the edging profile using the chop saw.



Using an aluminium blade will ensure a precise clean cut



- > Check the quality of the cut.





- > Dry fit to ensure your mitres are correct.



- > Clean the panel before you attach the edging profiles.



- > Carefully line up & fit to the panel.



- > For longer profiles, hold one end up & lower into position.



- > Alternatively, peel a piece of the backing tape & fit the profile to the panel.



- > Then pull the backing tape out once the profile is in place & attach to the panel.



- > Check the profile sits flush on the FACE of the panel.



## STEP 6 - Seamless Boxing



### Tools Required

|                     |                                 |            |
|---------------------|---------------------------------|------------|
| Router              | PPE                             | Marker Pen |
| Aluminium Blade     | Packers                         |            |
| 45 Router Cutter    | Clamps                          |            |
| Level/Straight edge | Circular saw with straight-edge |            |



- > Place the panel against the boxing, remember to use packers.



- > Using a marker pen, draw up the BACK edge of the boxing.

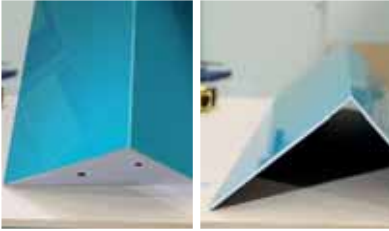


- > Where you have marked the BACK of the panel, cut a 90 angle using a 45 router.



- > Carefully bend the AluSplash into a 90 corner.





> Check the finished edge.



> Measure the width needed for the other side of the boxing.



> Then mark the measurements on the BACK of the panel using a straight edge.



> Use a circular saw to cut the panel .



> Dry fit the boxing, ensuring you use packers to check the fit.



## TOP TIP!

Remember to REMOVE 1.5mm for expansion

## STEP 7 - Trimmed Boxing



### Tools Required

|                    |              |
|--------------------|--------------|
| Chop Saw           | Pencil       |
| Trims              | Alcohol Wipe |
| PPE                |              |
| Combination Square |              |



- > Place trims on the internal & external corners around the boxing.



- > Apply double sided tape to hold the trim in place.



- > Measure between trims and mark on the back of the panel.

### TOP TIP!

ADD 1.5mm each side for expansion when measuring with trims so the panels sit inside the trim.





> Once cut, dry fit both panels to check the fit.



> Ensure to use packers.



## STEP 8 - Fitting Panel



### Tools Required

|                    |                   |
|--------------------|-------------------|
| Silicone Gun       | PPE               |
| Glass Sucker       | Measuring Tape    |
| Combination Square | Packers           |
| Square             | Double-sided Tape |
| Marker Pen         | Stanley Knife     |
|                    | Square            |



- > Make sure the wall is clean.



- > On the BACK, measure & mark 25mm line on all visible edges.



- > Using a square, mark 400mm centres across the panel.



- > Apply double sided tape to the 400mm lines. This allows the panel to hold while the silicone sets.





- > **You must** apply silicone between the double sided tape.



- > Remove the backing from the double sided tape.



- > Fit the panel to the wall, using packers for expansion.



## TOP TIP!

Remember to use packers when fitting the panel to the wall for expansion.

## STEP 9 - Fitting of Seamless Boxing



- > Measure & mark a 25mm line on all visible edges.



- > Apply double sided tape to one side.



- > Apply silicone to the opposite side.



- > Fit the boxing to the wall, remember to use packers.



- > Fit the side panel to the wall using silicone.



## STEP 9 - Fitting of Trimmed Boxing



- > Peel off the protective film from the panel & attach external corner trim using the double sided tape on the trims.



- > Apply silicone to the boxing.



- > Fit the boxing to the wall , remember to use packers.



- > Fit the side panel to the wall.



### TOP TIP!

Remember to use packers when fitting the panel to the wall for expansion.

## STEP 10 - Completion



### Tools Required

Silicone Gun  
Brush  
Vuplex  
Cloth  
PPE



> Fit the sockets back in place.



> Remove the packers.



> Clean the work surface with a brush.



> Use silicone to fill in the gaps.  
DON'T silicone where you have used  
trims.





- > Apply Vuplex to the AluSplash & wipe over with the cloth supplied.



For the video of how to install, please go to the Häfele UK YouTube Channel and click on the AluSplash Installation or find the full installation video on [www.alusplash.com](http://www.alusplash.com)



Brought to you by **HÄFELE**