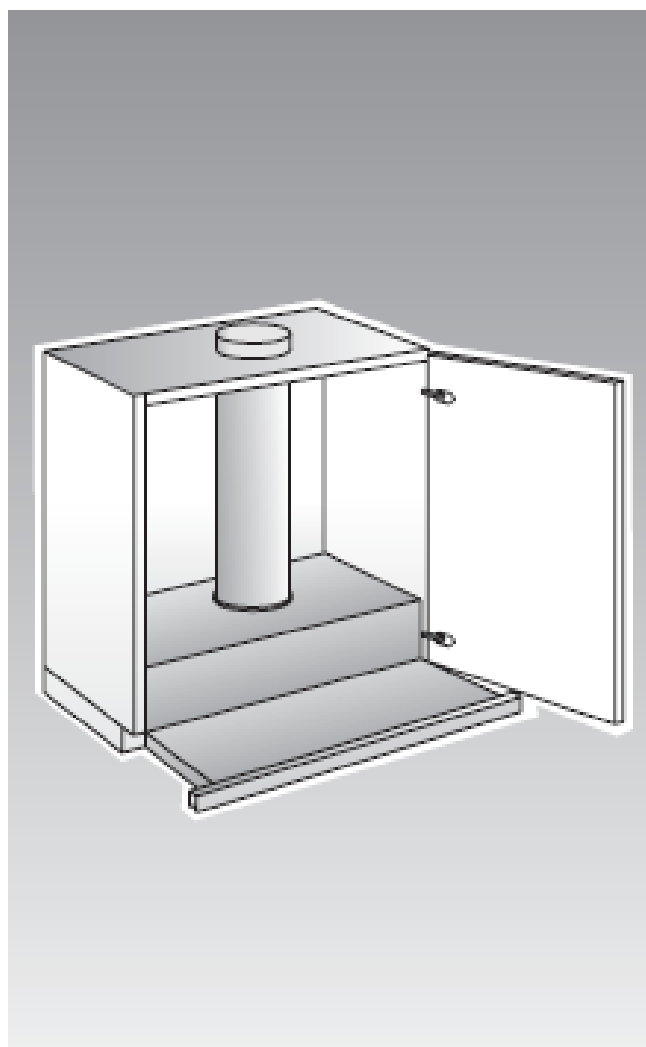

BOSCH



DHI62 . . .
DHI92 . . .

Operating Instructions

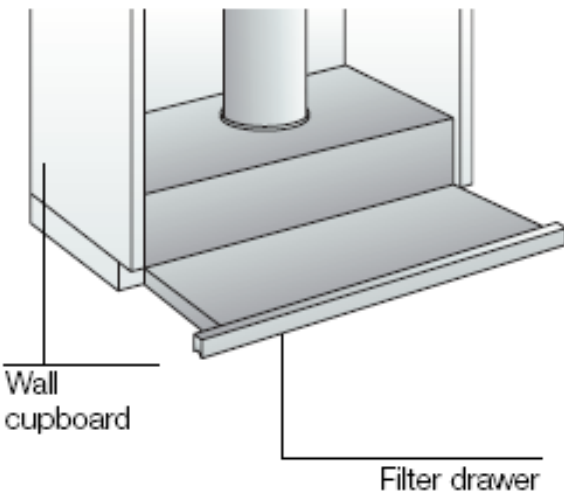
Installation Instructions

Operating Instructions Page 02–04

Installation Instructions Page 05–09

Before reading these instructions, please open out the folded last page with the illustrations.

Appliance description



Operating modes

Exhaust-air mode:

- The ventilator fan draws the vapours produced during cooking into the extractor hood, where they pass through the grease filter and out into the open air.
- The grease filter absorbs the grease contained in the vapours produced during cooking.
- The kitchen is kept almost totally free from grease and odours.

Circulating-air mode:

- An activated carbon filter must be fitted for this operating mode (see Filters and maintenance).
- The ventilator fan draws the vapours produced during cooking into the extractor hood, where they pass through the grease filter and the activated carbon filter before the clean air is discharged back into the kitchen.
- The grease filter absorbs the grease contained in the vapours produced during cooking.
- The activated carbon filter absorbs any odorous substances.

Before using for the first time

Important notes:

This extractor hood complies with all relevant safety regulations.

Repairs should only be carried out by qualified specialists.

Improperly executed repairs can give rise to significant hazards for the user.

! The appliance is not intended for use by young children or infirmed persons without supervision. Young children should be supervised to ensure they do not play with the appliance.

! The appliance should only be connected up to the mains and taken into use by a qualified specialist.

! Dispose of packaging materials properly (see Installation instructions).

! Light bulbs must always be fitted when the extractor hood is in use.

! Never operate the extractor hood without a grease filter.

! Overheated fat or oil can easily catch fire.

If you are cooking with fat or oil, e.g. chips, etc., never leave the cooker unattended.

! Do not flambé food directly under the extractor hood.

! Risk of grease filter catching fire due to flames.

! Restrictions apply to the use of the extractor hood over a solid-fuel burner (coal, wood, etc.). (See Installation instructions).

! Always use gas hobs in a proper and safe manner.


Important:

The flames from the gas hob must always be covered by pots or pans.

The intense heat generated by the gas flames could cause damage to the extractor hood.

Operating Instructions

Operating the extractor hood

 Kitchen fumes are best eliminated by:

- Switching ON the fan** when you start cooking.
- Switching OFF the fan** several minutes after you finish cooking.

Switching ON the fan:

1. Pull out the filter drawer by the handle.
 - The fan is now operating.
2. Select the desired fan setting.

Controls on the various models:



Setting II

Setting OFF

Setting I

Switching OFF the fan:

- Push in the filter drawer all the way.

Note: If the filter drawer is pulled out again, the fan starts operating at the last selected setting.

Light:



OFF

ON

Switching OFF the light:

- Push in the filter drawer all the way

Note: If the filter drawer is pulled out again, the fan starts operating at the last selected setting.

Filters and maintenance

Metal-mesh grease filters have been installed to filter grease particles out of the kitchen fumes.

The filter mats are made of incombustible metal.

Attention:

As grease accumulates in the filter, there is an increased risk of the filter catching fire and the extractor hood may malfunction.

Important:

Clean the metal-mesh grease filters at regular intervals.

Cleaning the metal-mesh grease filters:

During normal operation (1 to 2 hours daily), the metal-mesh grease filters should be cleaned every 8–10 weeks.

- The filters should not be cleaned in the dishwasher. However, the filters may be slightly discoloured.
- When cleaning by hand, soak the filter mats for several hours in a hot soap solution. Then brush them off, rinse thoroughly and allow to drip dry.
- To ensure the best possible results, **use only original filters.**

Removing and installing the filter frames Fig. 1


Removal:

1. Pull out the filter drawer all the way.
2. Grab the opening tongue at the filter, and move it in the direction of the arrow.
 - If there are two grease filters, remove the front one first.
3. Fold the filter frame down at the side and remove.

Filters and maintenance

Installation:

1. Pull out the filter drawer all the way.
2. Insert the filter frame at an angle into the holder, fold up until the detent will arrest in position.
 - ❑ If there are two grease filters, first insert the rear filter frame and then the front filter frame (profiled edge) into the filter drawer.

 Ensure that the grease filters are securely positioned on both sides.

Activated carbon filter:

For filtering odours during circulating-air mode.

The activated carbon filter is installed above the grease filter(s) in the extractor hood.

1. Remove the grease filter(s) (see Filters and maintenance).
2. Insert the activated carbon filter from below into the extractor-hood housing and lock into position and turned clockwise (fig.2).
3. Re-install the grease filter (see Filters and maintenance).

Removal:

The activated carbon filter is removed in reverse sequence by turning it counter clockwise.

Replacing the activated carbon filter:

During normal operation (1 to 2 hours daily), the activated carbon filter should be replaced approx. 1 x year. The activated carbon filter can be obtained from **specialist retailers**.

- ❑ To ensure the best possible results, **use only original filters**.

Disposal of the old activated carbon filter:

- ❑ Activated carbon do NOT contain any pollutants, i.e. they can be disposed of as household rubbish.

NOTE: Prior to any maintenance, switch off and disconnect from electrical supply.

- 1) Under normal cooking conditions the grease filter should be cleaned every 10-15 days in hot water, to which a suitable detergent has been added. For reasons of efficiency and safety regular cleaning is advised.
- 2) The outer casing of the Cocker Hood should be cleaned with a damp cloth.
- 3) The effective life of the carbon filter will naturally depend on the frequency and type of cooking fumes to which it is subjected. As general guide we suggest that a replacement is fitted at least every 12 months.
- 4) Once a year, (more frequently with heavy usage), call a serviceman to clean the fan and air ducts to prevent build-up of flammable fat deposits.
- 5) If hob illumination lamps need replacing, two 40 Watt Small Edison Screw candle lamps must be used.

Cleaning and care

Disconnect the extractor hood from the electricity supply by pulling out the mains plug or switching off at the fuse box.

- At the same time as you renew the grease filter (see Filters and maintenance), clean off any grease from all accessible parts of the housing. This significantly reduces the fire hazard and ensures that the extractor hood performs as effectively as possible.
- Use a hot detergent solution to clean the extractor hood.
- If the hood is extremely dirty (older stains), use a liquid window cleaner.

Painted surfaces, plastic parts:

- Do not use any abrasive cleaning agents or sponges that may scratch the paintwork.
- Use a soft cloth moistened with a mild detergent solution or a mild liquid window cleaner.
- Note:** Do not use alcohol (spirit) on plastic parts, otherwise the surface may become matt in appearance.
- Caution!** Ensure that the kitchen is adequately ventilated. Avoid naked flames.
- Plug appliance into mains again or switch on at the fuse box.

Replacing the light bulb

1. Switch off the extractor hood and pull out the mains plug or switch off the electricity supply at the fuse box.
2. Pull out the filter drawer all the way.
3. Remove the grease filters (see Filters and Maintenance).
4. Replace the light bulbs. Fig. 3. (Standard candle bulbs, max. 40 W, E14 socket).
5. Re-install the grease filter (see Filters and Maintenance).
6. Plug appliance into mains again or switch on at the fuse box.

If you encounter a problem

If you have any questions or if a fault occurs, please call Customer Service.

When you call, please quote the following:

E-Nr.	FD
-------	----

Enter the relevant numbers into the box above. The E-Nr. (product no.) and FD (production date) are shown on the nameplate which can be seen inside the extractor hood after the filter frame has been detached.

Installation Instructions

Important notes

⚠ Old appliances still have some residual value. An environment-friendly method of disposal will ensure that valuable raw materials can be recovered and used again.

Before you dispose of your old appliance, make sure that it has been rendered inoperable.

⚠ Your new appliance was protected by suitable packaging while it was on its way to you. All materials used for this purpose are environment-friendly and suitable for recycling. Please make a contribution to protecting the environment by disposing of the packaging appropriately.

Up-to-date information concerning options for disposing of your old appliance and the packaging from the new one can be obtained from your retailer or local government office.

⚠ The extractor hood can be used in either exhaust-air or recirculating-air mode.

⚠ Always mount the extractor hood over the centre of the hob.

⚠ Minimum distance between hob on electric cooker and bottom edge of extractor hood: **550 mm**, Fig. 4.

Additional notes concerning gas cookers:

⚠ The relevant regulations and installation notes provided by the manufacturer of the gas cooker must be observed in all cases.

⚠ The extractor hood may be installed next to only one full-height cupboard or high wall. Gap to be at least 50 mm.

⚠ **The installation of the extractor hood above gas cooking devices**, at a minimum height of **650 mm** (Fig. 4), is permitted provided that the following nominal heat loads (Hs) are not exceeded:

❑ Gas cookers

Load of one hotplate	max. 3.0 kW
Load of all hotplates	max. 8.3 kW
Load of the oven	max. 3.9 kW

❑ Gas hobs

Load of one hotplate	max. 3.9 kW
Load of all hotplates	max. 11.3 kW

❑ Gas glass-ceramic hotplate

The data on nominal heat loads do not apply to gas glass-ceramic hotplates. Be sure to observe the instructions provided by the manufacturer of the hotplate.

❑ Solid-fuel cookers

The maximum nominal heat loads and the minimum distance are the same as for gas cookers.

⚠ Installation of the extractor hood over a solid-fuel burner which could constitute a potential fire hazard (e.g. due to flying sparks) is only permitted if the burner is equipped with an **enclosed, non-removable cover** and all country-specific regulations are observed. This restriction does not apply to gas cookers and gas hobs.

⚠ The smaller the gap between extractor hood and hob, the greater the likelihood that rising steam will cause condensation to form on the hood.

Prior to installation

Exhaust-air mode Fig. 5

The exhaust air is discharged upwards through a ventilation shaft or directly through the outside wall into the open.

ⓓ Exhaust air should neither be directed into a smoke or exhaust flue that is currently used for other purposes, nor into a shaft that is used for ventilating rooms in which stoves or fireplaces are also located.

Local authority regulations must be observed when discharging air into smoke or exhaust flues that are not otherwise in use.

ⓓ **When the extractor hood is operated in exhaust-air mode simultaneously with a burner which makes use of the same chimney** (such as gas, oil or coal-fired heaters, continuous-flow heaters, hot-water boilers) care must be taken to **ensure** that there is an adequate supply of fresh air that will be needed by the burner for combustion.

Safe operation is possible provided that the underpressure in the room where the burner is installed does not exceed 4 Pa (0.04 mbar).

This can be achieved if the combustion air can be replenished by being able to flow through non-closeable openings such as in doors, windows, wall ventilation boxes, or by alternative technical measures such as reciprocally shutting the other device off, etc.

An air-intake/exhaust-air wall box by itself is no guarantee that the limiting value will not be exceeded.

Note: When assessing this possibility, the combined ventilation for the entire household must be taken into consideration. This rule does not apply to the use of cooking appliances, such as hobs and ovens.

All legal requirements concerning the discharge of exhaust air must be observed.

Unrestricted operation is possible if the extractor hood is used in recirculating-air mode – with activated carbon filter.

If the exhaust air is going to be discharged into the open, a telescopic wall box should be fitted into the outside wall. Fig. 5.1.

Connection between extractor hood and telescope wall box:

- ❑ With flexible tubing or a pipe suitable for use with exhaust air.

For optimum extractor hood efficiency:

- ❑ Short, smooth air exhaust pipe.
- ❑ As few bends in the pipe as possible.
- ❑ Diameter of pipe to be as large as possible (is \varnothing 100 mm) and no tight bends in pipe.
- ❑ **Round pipes:**
We recommend
Internal diameter **at least. 100 mm.**
- ❑ **Flact ducts** must have an internal cross-section that equates to that of round pipes with a 100 mm internal diameter.
 \varnothing 100 mm approx. 78 cm²

If pipes have different diameters:

- ❑ Insert sealing strip.
- ❑ **For exhaust-air mode**, ensure that there is an adequate supply of fresh air.

Exhaust air flows upwards:

- ❑ Cut a hole in the top of the wall cupboard, including a groove for the mains cable. Fig. 6.

Exhaust flows straight out at the back:

- inside the wall cupboard –.
- ❑ Cut a hole in the rear panel of the wall cupboard, including a groove for the mains cable.

Prior to installation

Connecting the Ø 100 mm exhaust-air pipe:

- ❑ Connect the spigot to the outlet (fig.7).

Circulating-air mode Fig. 8

- ❑ With activated carbon filter if exhaust-air mode is not possible.

Electrical connection

THIS APPLIANCE IS DOUBLE INSULATED, DO NOT CONNECTED TO EARTH.

- If the supply cord of this appliance is damaged, it must be replaced. Take care to shock hazard. Do never change the fuse without rettifying the cover; if you have lost the cover, do not use the plug until the cover is replaced, call your dealer for spare parts.
- If the appliance is supplied with UK plug (BS 1363) than it's protected by a 3A fuse or if any other type of plug is used, by a 5A fuse either in the plug or adaptor or at the distribution board.

Electrical specifications:

After removal of the filter frames, these can be found on the rating plate inside the appliance.

⚠ Before undertaking any repairs, always disconnect the extractor hood from the electricity supply.

Length of the connecting cable: 1,30 m.

If it is necessary to wire the extractor hood directly into the mains:

The extractor hood may only be connected up by a qualified electrician approved by the appropriate electricity company.

A separator must be installed in the household circuit. A suitable separator is a switch that has a contact gap of more than 3 mm and interrupts all poles. Such devices include circuit breakers and contactors.

This extractor hood complies with EC regulations relating to the suppression of RF interference.

Preparing the wall cupboard

⚠ Ensure that there is a minimum gap between hob and extractor hood of 650 mm (for gas hobs) or 470 mm (for electric hobs).

This **extractor hood** has been designed for installation inside a wall cupboard with the following dimensions:

Width: 600/900 mm

Depth: 280 bis 350 mm

Height: at least 300 mm Fig. 9.

Preparation:

The cupboard must have the specifics according figure 9.

⚠ The stability of the cupboard must be maintained .

Details for drilling:

∅ 2 mm – max. 10 mm deep (Fig. 6).

- Use drawing in fig. 6 for marking points where hood is to be mounted.**
- The mounting points shown on the sketch have been configured in such a way as to allow a 20 mm thick handle to be attached flush with the front edges of the cupboard. Fig. 6.
- A stop allows the handle (Fig. 9.1), Dimension Δ) to be positioned further forwards.

Installation inside the wall cupboard

1. Remove the filter frames (see Operating Manual).
2. If the hinges are no longer accessible when the extractor hood has been installed, align the cupboard doors.
3. Lift and push the extractor hood from below into the cupboard.
4. Pull out the filter drawer all the way.
5. Attach the extractor hood by screwing in 4 screws from the top of the support panel into the hood (fig. 10).
6. Feed the mains connection cable through the aperture into the upper cupboard and connect the pipe. Fig. 11.
7. Connect to the power supply.
8. Fix the wall spacer onto the hood with the 3 screws (fig.12.1). Insert the nuts into the moveable spacer from the top and attach than the spacer onto the wall spacer with the 2 metric screws (fig. 12.2).

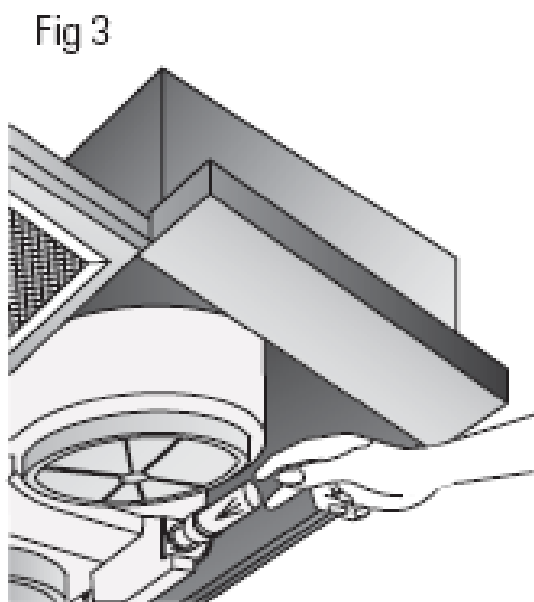
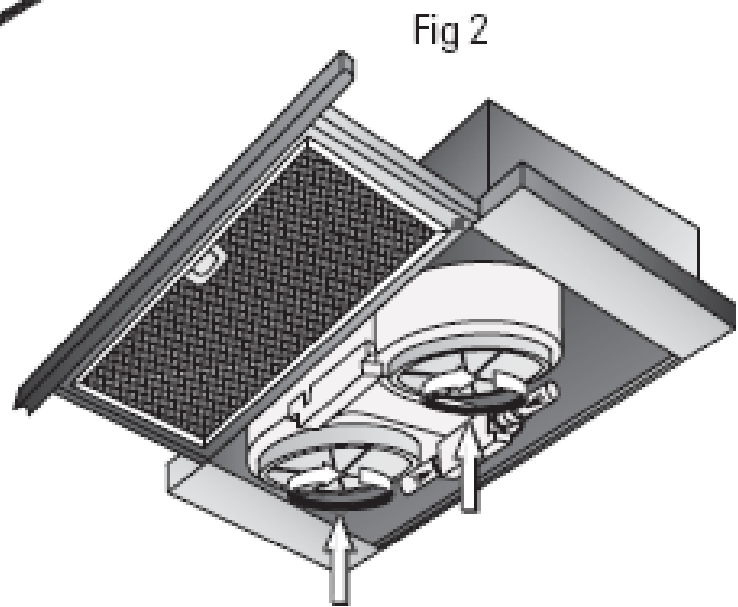
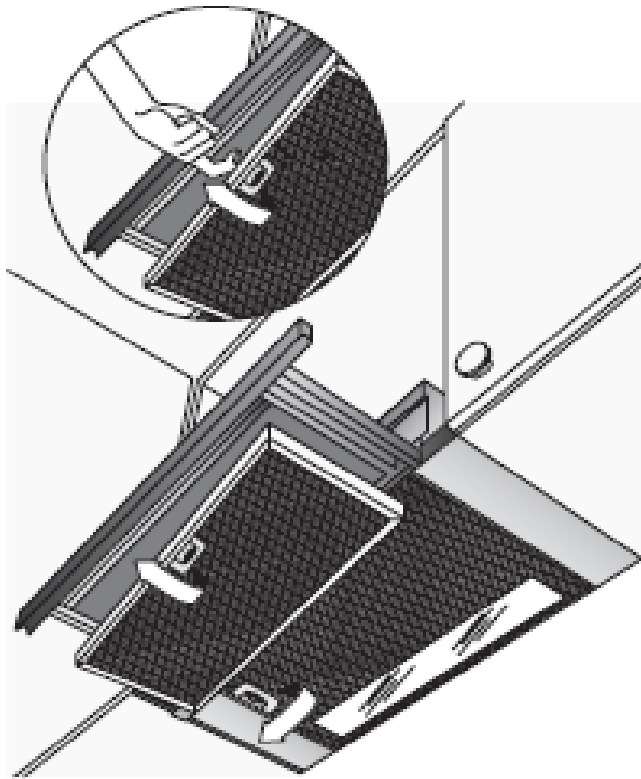
Attaching a handle:

- A handle must be attached to the filter drawer.**
- The handle can be made of wood to match the kitchen furniture or the enclosed handle can be used.

Removal:

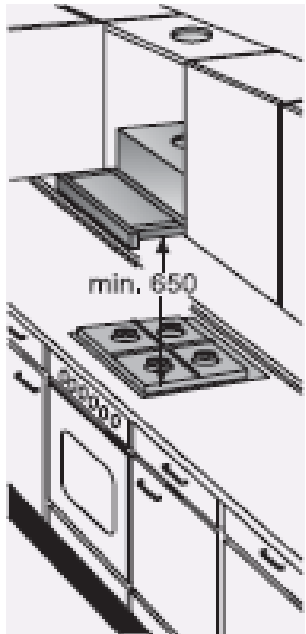
The extractor hood is removed in reverse sequence.

Operating Instructions



Installation Instructions

GAZ



ELECTR.

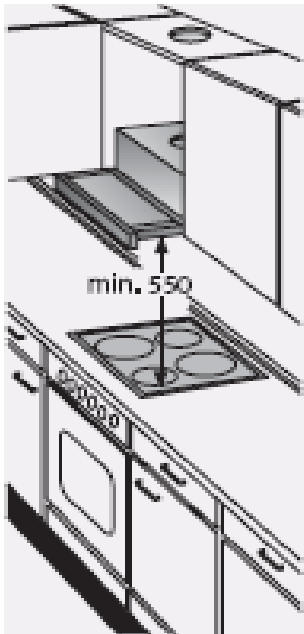


Fig 4

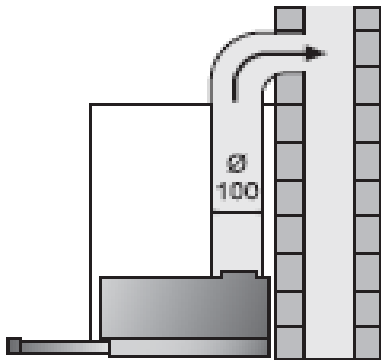


Fig 5

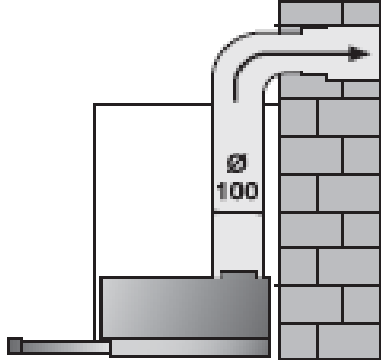
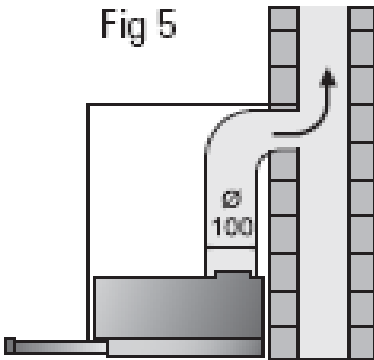
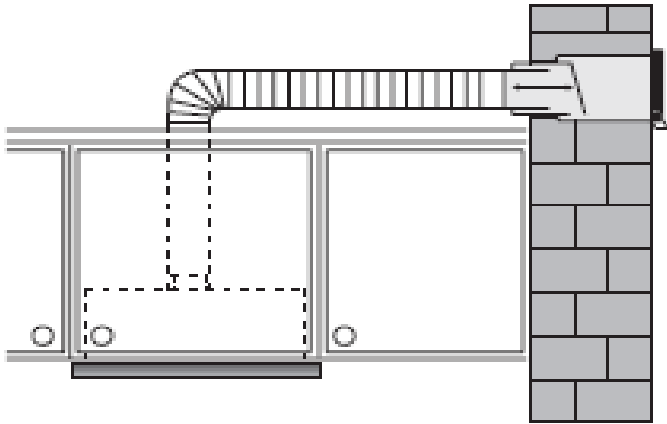


Fig 5.1



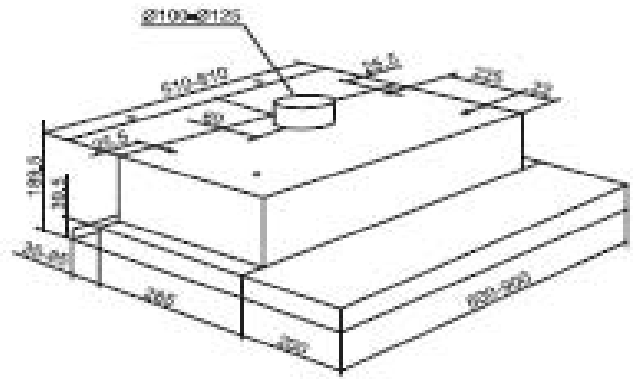
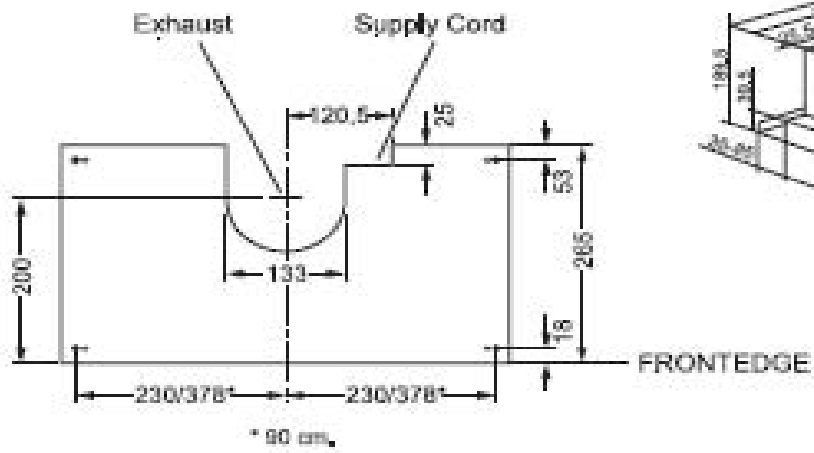


Fig 6

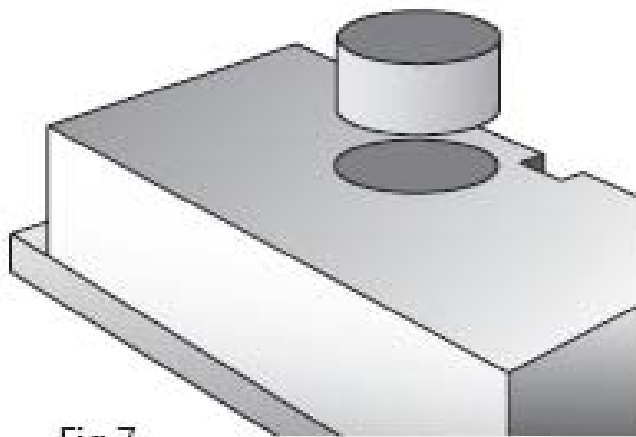


Fig 7

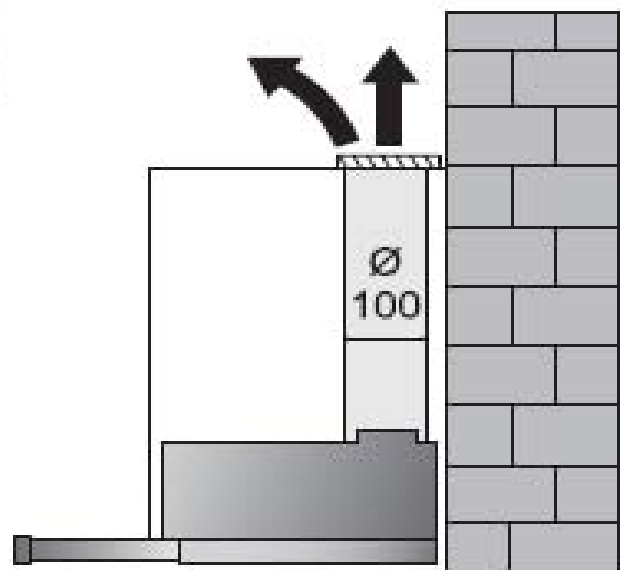


Fig 8

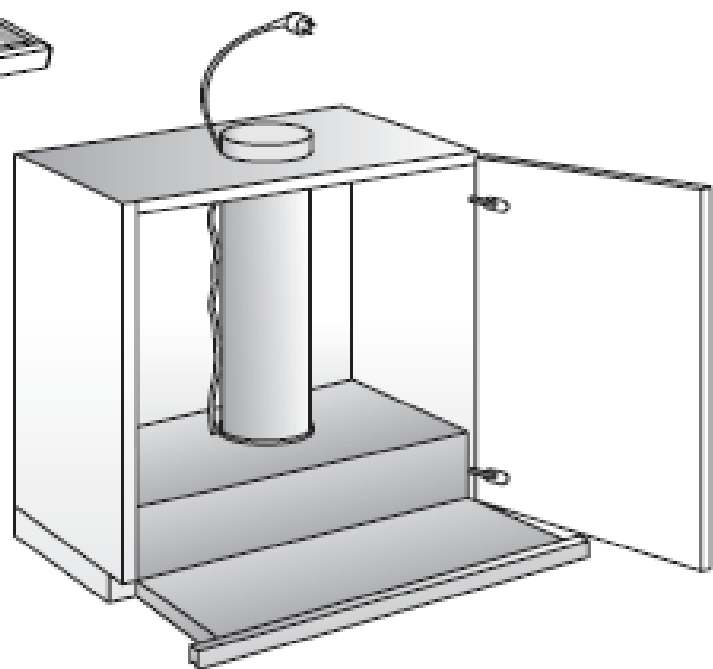
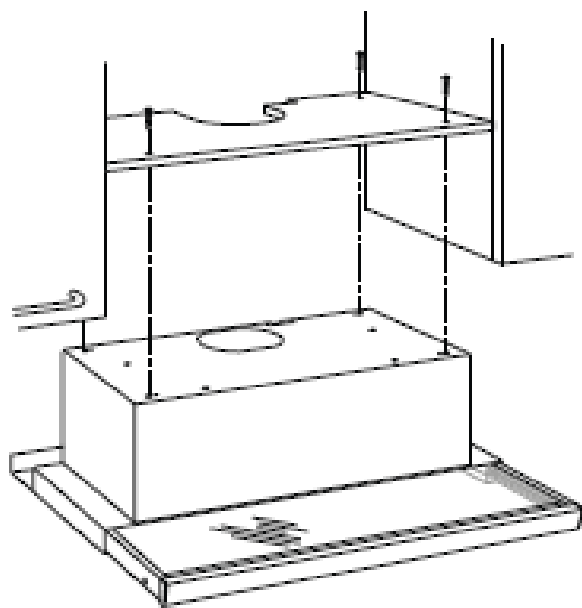
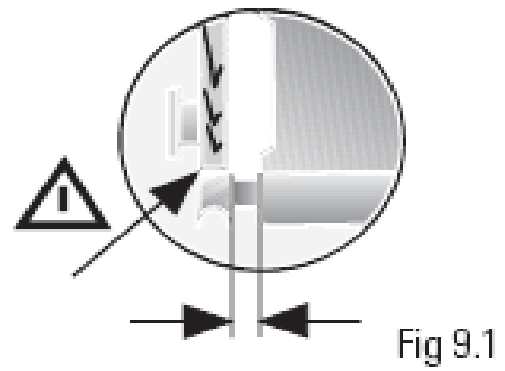
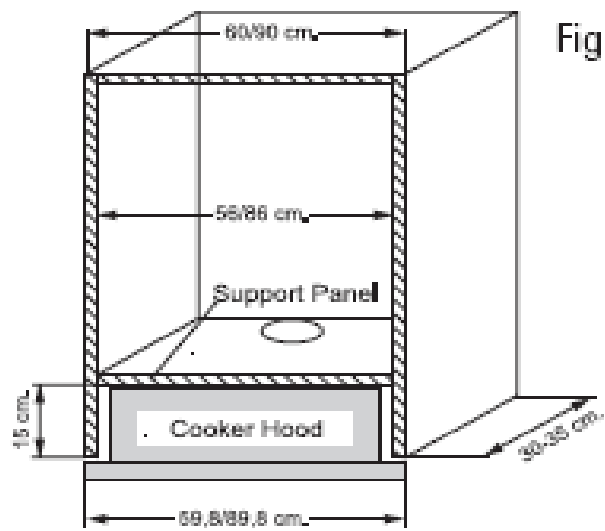


Fig 12

